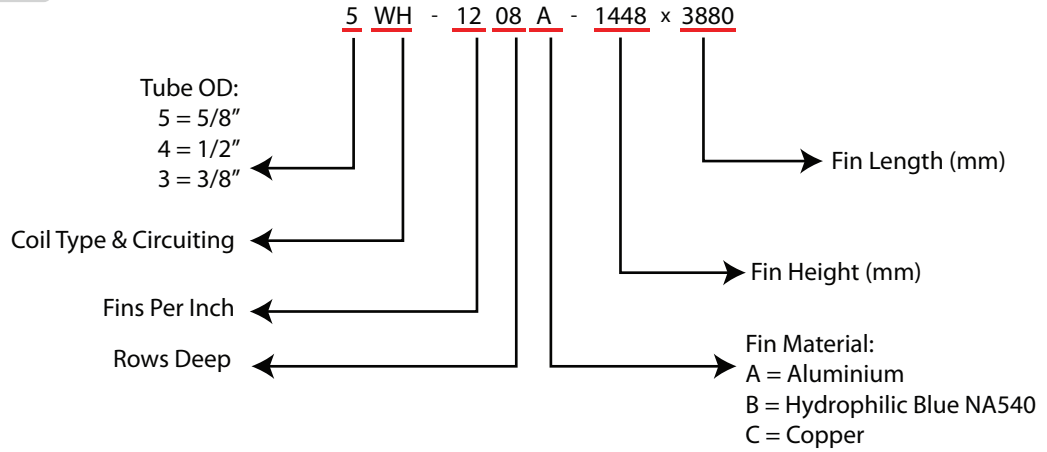


Elite Precision Components Sdn Bhd Coil Specification.

Product Nomenclature



Tube OD	9.52mm(3/8")	12.70mm(1/2")	15.88mm(5/8")
Pitch	25.40 x 22.00 (1.0000" x 0.8660 ")	31.75 x 27.50 (1.2500" x 1.0825")	38.10 x 33.00 (1.5000" x 1.2990)
Fin Surface	Corrugated V-wafer Raised Lance Sine Wave	Sine Wave	Corrugated V-wafer
Fin Material	Aluminium Hydrophilic Copper	Aluminium Hydrophilic Copper	Aluminium Hydrophilic Copper Copper Tinned Stainless Steel
Tube Material	Copper	Copper	Copper Stainless Steel Carbon Steel Copper Nickel
Row	1-15	1-15	1-15
FPI	4-19	8-18	8-18
Fin Length	275mm – 11000mm	275mm – 11000mm	275mm – 11000mm
Fin Height	102mm – 2159mm	127mm – 2159mm	152mm – 2134mm

Frame Material	Header Material	Connection Material	BSPT Connection mm (nominal)	Finishing paint
Galvanized Iron	Copper	Copper	25	Aluminum Paint
Aluminum	Black Steel Pipe	Black Steel Pipe	32	Epoxy Paint
Stainless Steel	Brass	Brass	40	Lacquer Paint
Copper	Stainless Steel	Stainless Steel	50	Heresite Paint
Brass			65	
			80	
			101.6 (flange)	
			127.0 (flange)	
			152.4 (flange)	

Coil Type & Circuiting			
Water Coil Circuiting		Evaporater Coil Circuiting	
WQ	1/4 Serpentine	EN	Normal
WH	1/2 Serpentine	EF	Face Control
WL	3/4 Serpentine	ER	Row Control
WS	1 Serpentine	EJ	Interlaced
WM	1 1/2 Serpentine	EK	Interlaced Face Control
WD	2 Serpentine		
WT	3 Serpentine		
WF	4 Serpentine		
WH	Hot Water Coil 1/2 Serpentine for 1 & 2 row		
WS	Hot Water Coil 1 Serpentine for 2 row		
WQ	Hot Water Coil 1/4 Serpentine for 1 row		
BS	Booster Coil Single Feed, 1 & 2 row		
BB	Booster Coil Single Feed, 1 row		
BD	Booster Coil Double Feed, 2 row		